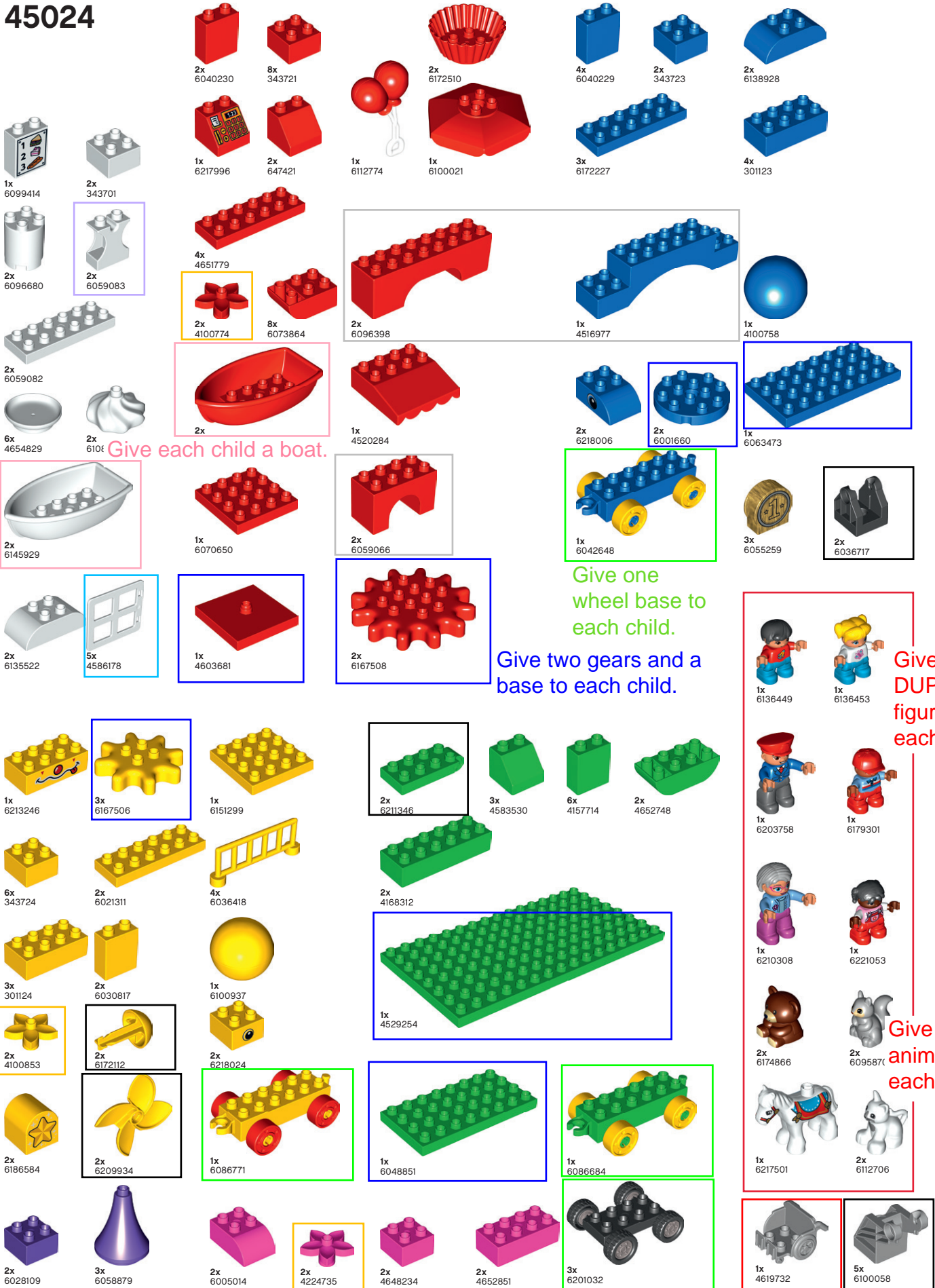


# 45024



Give each child a boat.

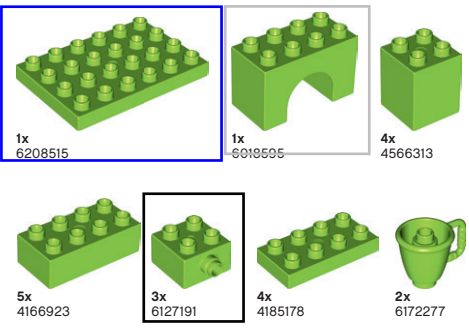
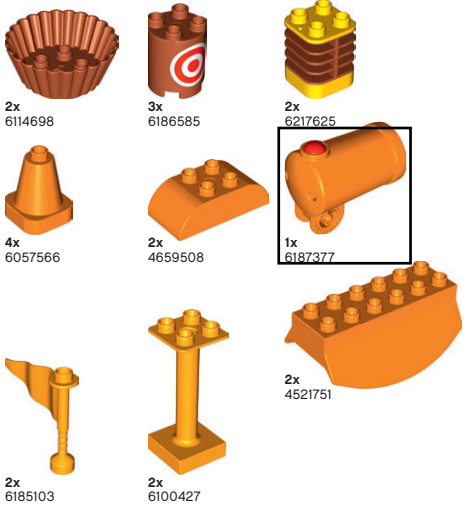
Give one wheel base to each child.

Give two gears and a base to each child.

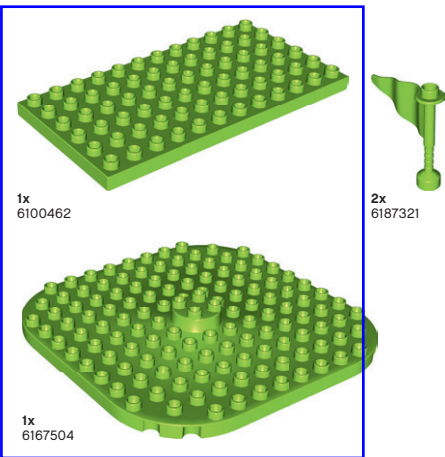
Give one DUPLO figure to each child.

Give one animal to each child.

Give one flower to each child.



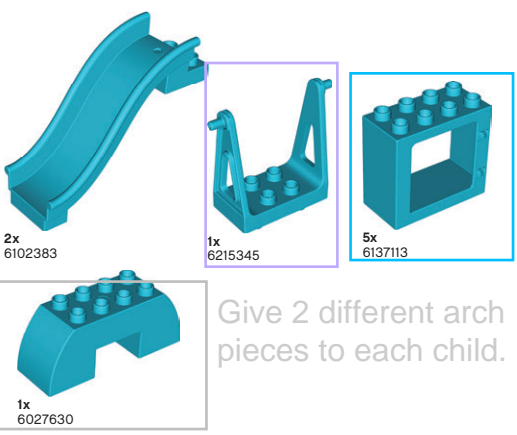
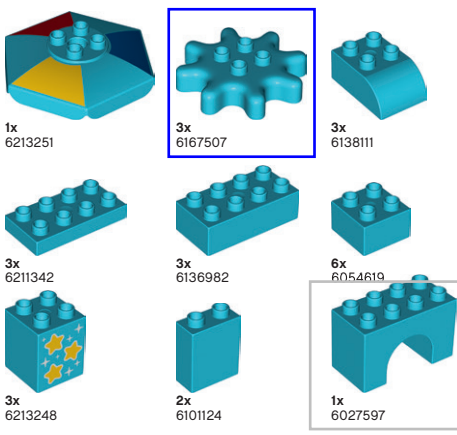
These two ramps pieces should go together. Place in 2 bins.



All the black outlined pieces go together as functional pieces.



All remaining pieces (with no rectangle boxes around them) distribute among the 4 children as evenly as possible.



Give one window with frame to each child.

Give 2 different arch pieces to each child.

